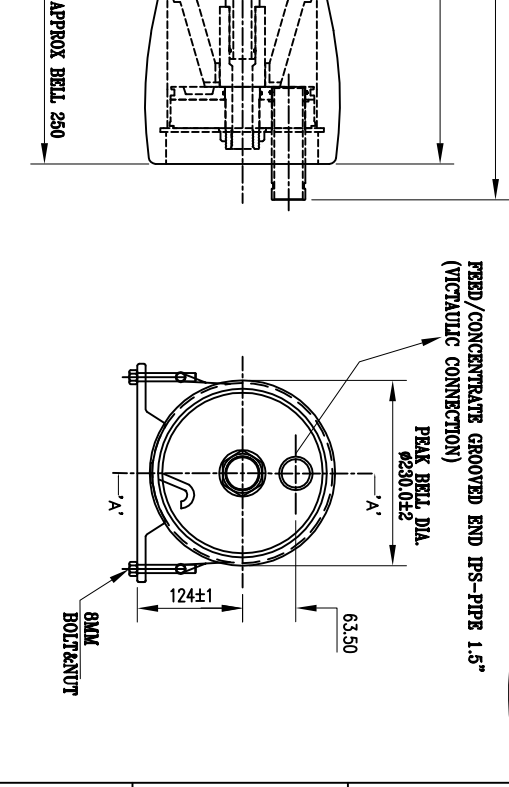
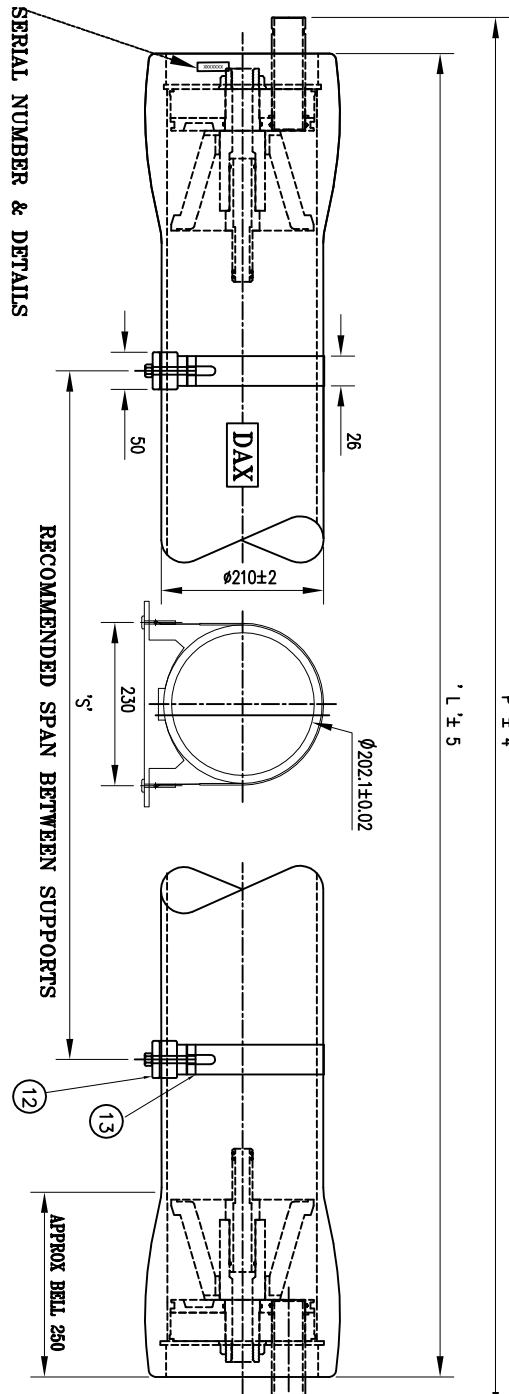


1' ± .4

1' ± .5



FEED/CONCENTRATE GROOVED END IFS-PIPP 1.5" (VICTAULIC CONNECTION)
PEAK BELT DIA. #230.0±.2
124±1
63.50
6MM BOLT/ANUT

APPROX BELT 250

RECOMMENDED SPAN BETWEEN SUPPORTS

SERIAL NUMBER & DETAILS

DWG REF	QTY	PART NO	DESCRIPTION	MATERIALS
HOUSING SHELL				
1	1	-----	PRESSURE VESSEL	PLIANT/ TONGED EPXY/GLASS COMPOSITES (HEAD LOCKING GROOVES INTEGRALLY MOUND)
END CAP ASSEMBLY				
2	2		BEARING PLATE	ALUMINIUM ALLOY
3	2		SEALING PLATE	ENGINEERING THERMOPLASTIC
4	2		PERMEATE PORT	ENGINEERING THERMOPLASTIC
5	2		HEAD SEAL	EPDM
6	2		F/C PORT	SS 304
7	2		F/C PORT CIRCLIP	SS 304
8	2		F/C PORT SEAL	EPDM
9	2		SEAL PLATE SEAL	EPDM
10	2		PORT NUT	ENGINEERING THERMOPLASTIC
END CAP LOCKING				
11	2		REMAINING RING	SS 304 FINGER PULL
PRESSURE VESSEL SUPPORT				
12	2		SADDLE	PE MATERIAL
13	2		STRAP ASSEMBLY	SS 304 WITH CUSHION
INTERNAL ASSEMBLY				
14	1		THRUST CONE	ENGINEERING THERMOPLASTIC
15	2		MEMBRANE ADAPTER	ENGINEERING THERMOPLASTIC
16	2		ADAPTER SEAL - P	EPDM
17	4		ADAPTER SEAL - M	EPDM

SHELL LENGTH CODE	MODEL	'L' MM	'S' MM	APPROX. ASSEMBLY WEIGHT KG	PORT-PORT MM
-1	80E300-1	1516	676	12	1580
-2	80E300-2	2532	1656	20	2596
-3	80E300-3	3548	2674	28	3612
-4	80E300-4	4564	1845X2	35	4630
-5	80E300-5	5580	2355X2	42	5646
-6	80E300-6	6596	2865X2	49	6662
-7	80E300-7	7612	3300X2	59	7678

TECHNICAL SPECIFICATION

Design Pressure 300 PSI (20.68 Bar)
 Max Operating Temperature 49°C (120.2° F)
 Min Operating Temperature -07°C (19.40° F)
 Hydro- Test Pressure 330 PSI (22.75 Bar)
 (Hydro Test Pressure- 1.1 Times of Design Pressure as per the ASME section -X)

CAUTION :-

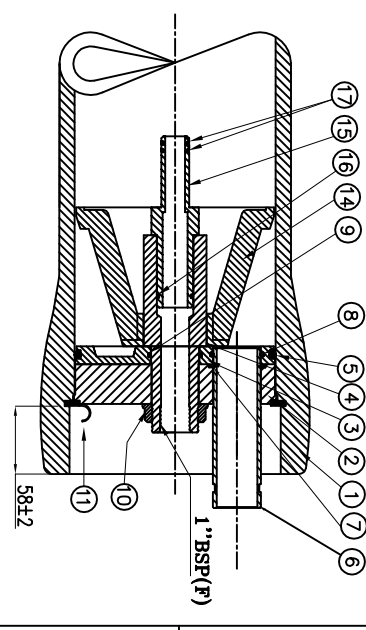
1. NUMBER '15' TO BE USED ONLY AT DOWN STREAM.
 2. ADAPTER SPACERS TO BE USED ONLY AT UP STREAM. THREE SPACERS WITH EACH VESSEL(S).
 WARNING :-
 INCORRECT MAN HOLDING WILL CAUSE SEVERE LOCAL STRESS AROUND PORT AND MAY RESULT IN LEAKS AND PREMATURE FAILURE.
 TAKE EVERY PRECAUTION MENTIONED IN USER MANUAL.
 REPLICATION SUBJECT TO CHANGE WITHOUT NOTICE.

CLIENT :-

DRAWN : RSP
 CHECKED : RSP
 APPROVED : RSP
 SCALE : NS
 DATE : 02-05-22

PROJECT :-

TITLE :- DAX PRESSURE VESSEL
 MODEL :- 80E300



Part No : -
 Dwg No :-
 SHEET NO : 1 OF 1

Works:-
 Shed No-1, Jodhpur Industrial Estate,
 N-Viholi Village, Mumbai-Kaashik-
 Highway/Venak-422010
 #963778156
 Web : www.daxindia.com
 Email : daxindia@rediffmail.com

REV

1 2 3 4 5 6 7 8 9 0