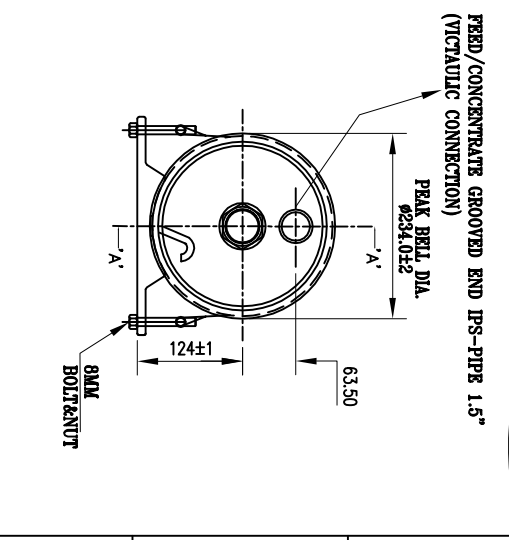
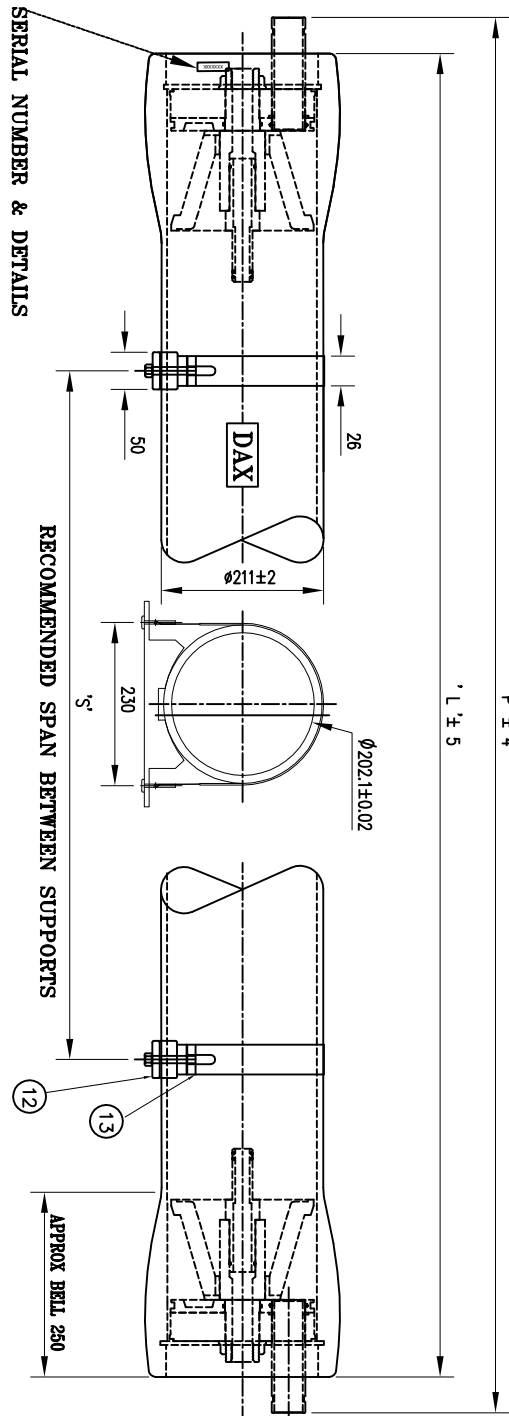


1' ± .4

1' ± .5



450 PSI

DWG REF	QTY	PART NO	DESCRIPTION	MATERIALS
<b>HOUSING SHELL</b>				
1	1	-----	PRESSURE VESSEL	PLIANT WOUND EPOXY/GLASS COMPOSITES (HEAD LOCKING GROOVES INTEGRALLY WOUND)
<b>END CAP ASSEMBLY</b>				
2	2		BEARING PLATE	ALUMINIUM ALLOY
3	2		SEALING PLATE	ENGINEERING THERMOPLASTIC
4	2		PERMEATE PORT	ENGINEERING THERMOPLASTIC
5	2		HEAD SEAL	EPDM
6	2		F/C PORT	SS 304
7	2		F/C PORT CIRCLIP	SS 304
8	2		F/C PORT SEAL	EPDM
9	2		SEAL PLATE SEAL	EPDM
10	2		PORT NUT	ENGINEERING THERMOPLASTIC
<b>END CAP LOCKING</b>				
11	2		REMAINING RING	SS 304 FINGER PULL
<b>PRESSURE VESSEL SUPPORT</b>				
12	2		SADDLE	PE MATERIAL
13	2		STRAP ASSEMBLY	SS 304 WITH CUSHION
<b>INTERNAL ASSEMBLY</b>				
14	1		THRUST CONE	ENGINEERING THERMOPLASTIC
15	2		MEMBRANE ADAPTER	ENGINEERING THERMOPLASTIC
16	2		ADAPTER SEAL - P	EPDM
17	4		ADAPTER SEAL - M	EPDM

SHELL LENGTH CODE	MODEL	'L' MM	'S' MM	APPROX. ASSEMBLY WEIGHT KG	PORT-PORT MM
-1	80E300-1	1516	676	15	1580
-2	80E300-2	2532	1656	23	2596
-3	80E300-3	3548	2674	31	3612
-4	80E300-4	4564	1845X2	38	4630
-5	80E300-5	5580	2355X2	45	5646
-6	80E300-6	6596	2865X2	52	6662
-7	80E300-7	7612	3300X2	61	7678

**TECHNICAL SPECIFICATION**

Design Pressure 450 PSI (31.03 Bar)  
 Max Operating Temperature 49°C (120.2° F)  
 Min Operating Temperature -07°C ( 19.40° F )  
 Hydro- Test Pressure 495 PSI (34.13 Bar)  
 (Hydro Test Pressure- 1.1 Times of Design Pressure as per the ASME section -X)

**CAUTION :-**  
 1. NUMBER '15' TO BE USED ONLY AT DOWN STREAM.  
 2. ADAPTER SPACERS TO BE USED ONLY AT UP STREAM. THREE SPACERS WITH EACH VESSEL(S). (5,3&2MM).

**WARNING :-**  
 INCORRECT MAN HOLDING WILL CAUSE SEVERE LOCAL STRESS AROUND PORT AND MAY RESULT IN LEAKS AND PREMATURE FAILURE.  
 TAKE EVERY PRECAUTION MENTIONED IN USER MANUAL.  
 SPECIFICATION SUBJECT TO CHANGE WITHOUT NOTICE.

DRAWN : RSP

CHECKED : RSP

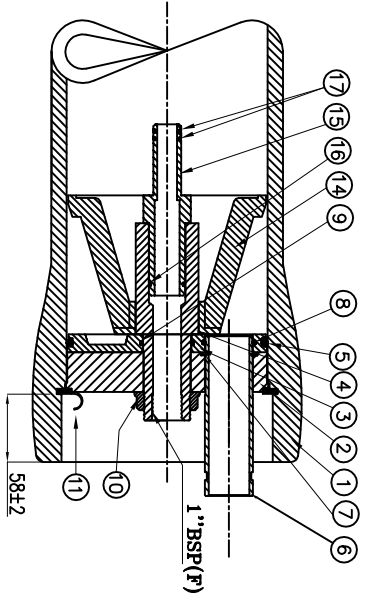
APPROVED : RSP

SCALE : NS

DATE : 02-05-22

CLIENT :-

TITLE :- DAX PRESSURE VESSEL  
 MODEL :- 80E450



SECTION-A-A'

DAX

Works:-  
 Shed No-1, Jodhpur Industrial Estate,  
 N-Viholi Village, Mumbai-Kaashik-  
 Highway, Vashi-422010  
 Web : www.daxindia.com  
 #963778156  
 Email : daxindia@rediffmail.com

PART NO : -  
 DRG NO :-  
 SHEET NO : 1 OF 1

- NOTES:**
- DIMENSIONS ARE IN MM.
  - FOR REFERENCE ONLY NOT TO BE USED FOR CONSTRUCTION UNLESS CERTIFIED.
  - CENTER VESSEL ON 2 / 3 SUPPORTS AT SPAN 'S'.
  - \*\* 3 SUPPORTS REQUIRED FOR LENGTH - 4 ABOVE.
  - INTERNAL PERMEATE PRESSURE NOT EXCEED 125 PSI.
  - EXTERIOR OF MEMBRANE HOUSING COATED WITH HIGH GLOSS POLYURETHANE PAINT.

1 2 3 4 5 6 7 8 9